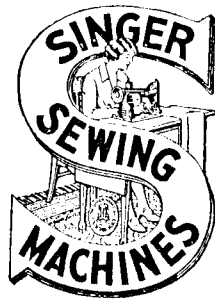


**SINGER**  
**108W7**

# LIST OF PARTS



## MACHINE No. 108w7

THE SINGER MANUFACTURING COMPANY

## INDEX

	PAGE
ACCESSORIES .....	16
BINDER .....	18
BOBBIN WINDER .....	16
KNEE LIFTER .....	17
KNIFE GRINDER .....	19
MACHINE No. 108w7 .....	7
NUMERICAL LIST OF PARTS .....	21
RIBBON REEL .....	20

From the library of: Diamond Needle Corp

## Instructions for Ordering

In ordering from this list, use **ONLY** the **PART** number in the **FIRST** column

The number stamped on a Sewing Machine Part is the number of the Single Part only, except when the part includes Set Screws, Clamping Screws, Studs and Rollers Spun on, Small Wires riveted, or Parts soldered together, etc., which it is necessary to furnish in combination.

Every combination of parts sent out has its specific number which, although not stamped on Parts (except in above cases) must be used when ordering the combination.

Each number always indicates the **SAME PART** in whatever list it appears, or for whatever Machine.

The letters after some of the numbers indicate the style of finish only, as follows:

- A. Hardened, Polished and Plated.
- B. Polished and Plated.
- C. Hardened only.
- D. Polished only.
- E. Soft, not polished.
- F. Hardened and Polished.
- H. Blued.

These letters **MUST BE USED** when they appear in the list and **AFTER** the number, as in the list.

In this series

200001 to 201500 are Screw Numbers.

201501 to 201800 are Nut Numbers.

201801 to 202000 are Roller Numbers.

202001 and upward are numbers of Machine Parts.

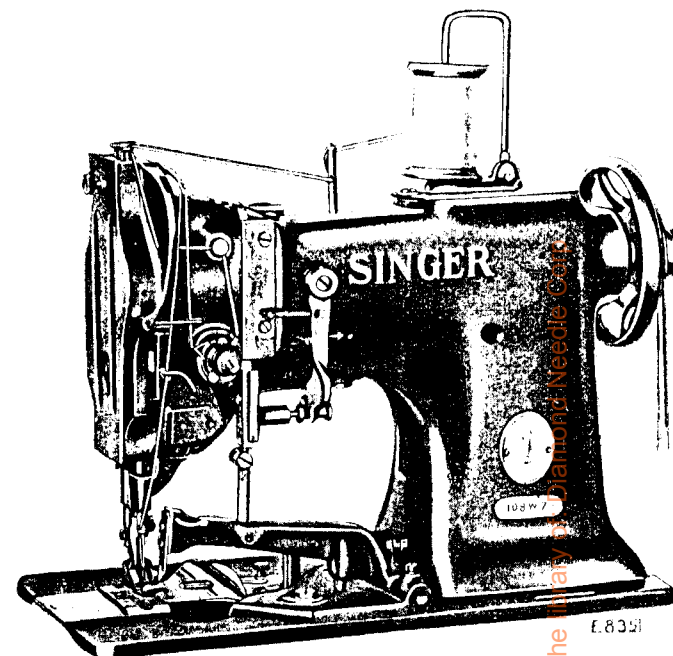
The figures in the second column refer only to the plate in which the illustration of the part is shown and are **NOT TO BE USED** in ordering.

Two or more numbers over a cut indicate that the difference between such parts is not visible in an illustration.

Parts marked with an asterisk (\*) are furnished only when repairs are made at the factory.

## LIST OF PARTS COMPLETE

FOR



## MACHINE No. 108w7

For Trimming and Binding Corsets, Brassiers,

Dresses and other similar work,

at one operation

No.	Plate	Name
*247786	---	Arm .....
203091	13465	" Cap .....
200278H	13467	" " Screw .....
202248	13467	" " " Washer .....
203089	13465	" " Spool Holder Base .....
203090	13465	" " " " " " 203089 with 200079H and 204296 .....
200585H	11672	Arm Cap Spool Holder Base Screw
204296	13465	" " " " Wire .....
200079H	10668	" " " " " Hinge Screw .....

No.	Plate	Name
203092	—	Arm Cap and Spool Holder complete, Nos. 203090, 203091 and two 200585n .....
204235	13467	Arm Position Pin (2) .....
200010E	11672	" Screw (3) .....
202005	11672	" " Washer (3) .....
208523	13466	" Shaft .....
202243	13465	" " Bushing (back) with 202244 .....
202244	—	Arm Shaft Bushing (back) Oil Packing (wick) .....
200338c	13467	Arm Shaft Bushing (back) Set Screw .....
207080	13465	Arm Shaft Bushing (front) with 202244 .....
202244	—	Arm Shaft Bushing (front) Oil Packing (wick) .....
200502B	13467	Arm Shaft Bushing (front) Oil Packing Thumb Screw .....
200338c	13467	Arm Shaft Bushing (front) Set Screw .....
224513	13465	Arm Shaft Connection Belt .....
224514	13465	" " " " Pulley with 200327c, 200602E and two 202253 .....
200602E	13467	Arm Shaft Connection Belt Pulley Position Screw .....
200327c	13467	Arm Shaft Connection Belt Pulley Set Screw .....
202253	13467	Arm Shaft Connection Belt Pulley Spring Flange .....
208573	13465	Arm Shaft Counter Balance with 200335c .....
200335c	13467	Arm Shaft Counter Balance Set Screw .....
202255	13466	Balance Wheel (belt groove 2½ in. diam.) with 200328c and 200335c .....
200328c	13467	Balance Wheel Position Screw .....
200335c	13467	" " Set Screw .....
*247751	—	Bed with 224517 and three 200582n .....
202258	12345	" Hinge Connection (2) .....
200570E	11672	" " " Screw (4) .....
210616	13465	" Slide (front) .....
247752	13468	Binder Base Plate with five 247754 .....
200577H	11672	" " " Screw .....
247753	13468	" Guard .....
201498B	13467	" " Screw .....

No.	Plate	Name
208305	13467	Binder Head, .035 in. opening, for tapes or folded strips from ½ to ¾ in., in steps of ⅓ inch .....
208326	13467	Binder Head Adjusting Lever .....
200292F	13467	" " " " Hinge Screw .....
208327	13467	Binder Head Adjusting Lever Hinge Screw Washer .....
200133D	13467	Binder Head Screw .....
208318	13467	" " Slide Block .....
247754	13467	" Tape Tension Pin .....
247755	—	Binder complete, .035 in. margin, for tapes or folded strips from ½ to ¾ in., in steps of ⅓ in., Nos. 200292F, 201498B, 208305, 208318, 208326, 208327, 247752, 247753 and two 200133D .....
202265	13467	Bobbin .....
*202806	—	" Case .....
202267	13467	" " Latch .....
*202056	—	" " " Pin .....
202269	13467	" " " Plunger .....
202270	13467	" " " Spring .....
202716	13467	" " Tension Spring .....
200984c	13467	" " " " Regulating Screw .....
200594c	13467	Bobbin Case Tension Spring Screw .....
202533	—	Bobbin Case complete, Nos. 200594c, 200984c, 202056, 202267, 202269, 202270, 202716 and 202806 .....
208535	13466	Face Plate .....
202135	11672	" " Position Pin .....
200462B	11672	" " Thumb Screw .....
208538	11672	Feed Driving Connection (brass) with 202277 .....
202277	—	Feed Driving Connection Oil Packing (wick) .....
208539	11672	Feed Driving Connection Stud (eccentric) with 202254 .....
202254	—	Feed Driving Connection Stud Oil Packing (wick) .....
200362c	11672	Feed Driving Connection Stud Set Screw .....
208331	11675	Feed Driving Eccentric Regulating Bracket .....
224515	—	Feed Driving Eccentric Regulating Bracket 208331 with 224514, two each 201014c and 201525E .....
202301	13469	Feed Driving Eccentric Regulating Bracket Plunger .....



No.	Plate	Name
247766	—	Knife Driving Slide Locking Plunger Bracket 247765 with 247764, 247768, 247769 and 247787 .....
200075E	13471	Knife Driving Slide Locking Plunger Bracket Screw (2) .....
213940	13471	Knife Driving Slide Locking Plunger Bracket Screw Washer (2) .....
247768	13471	Knife Driving Slide Locking Plunger Head .....
247787	13471	Knife Driving Slide Locking Plunger Head Pin .....
247769	13471	Knife Driving Slide Locking Plunger Spring .....
200076D	13471	Knife Screw .....
247770	13470	" Throw-out Lever .....
200247E	13471	" " " Hinge Screw .....
249659	13471	" " " Spring .....
201218E	13471	" " " Screw .....
200653C	11674	" " " Stop Screw .....
208545	11672	Lifting Bell Crank .....
224628	13470	" " " Driving Crank .....
208547	13471	" " " " " " Link .....
202277	—	Lifting Bell Crank Driving Crank Oil Packing (wick) .....
201012C	11672	Lifting Bell Crank Driving Crank Position Screw .....
200374C	10668	Lifting Bell Crank Driving Crank Set Screw .....
200996C	11673	Lifting Bell Crank Stop Screw .....
224629	—	" Presser Foot Plate .....
224630	—	" " " Shank .....
224631	13472	Lifting Presser Foot (hinged) complete, Nos. 224629 and 224630 .....
200074E	11672	Lifting Presser Foot Screw .....
224654	13472	" " " Spring (flat) .....
200175H	13472	" " " " Screw .....
224632	13470	Needle Bar with 200141E .....
208549	13466	" " and Needle Plate Carrier Frame with 200362C, 200997C and 208550 .....
224517	13471	Needle Bar and Needle Plate Carrier Frame Hinge Bearing .....
200582H	10252	Needle Bar and Needle Plate Carrier Frame Hinge Bearing Screw (3) .....
200999C	11673	Needle Bar and Needle Plate Carrier Frame Hinge Screw .....
200998C	11673	Needle Bar and Needle Plate Carrier Frame Hinge Screw Stud .....

No.	Plate	Name
208550	11673	Needle Bar and Needle Plate Carrier Frame Hinge Screw Stud Bushing (split) .....
200997C	11673	Needle Bar and Needle Plate Carrier Frame Hinge Screw Stud Bushing Position Screw .....
202277	—	Needle Bar and Needle Plate Carrier Frame Hinge Screw Stud Oil Packing (wick) .....
208551	11673	Needle Bar Connecting Link .....
208552	11673	" " " Stud with 200086C and 202330 .....
202330	—	Needle Bar Connecting Stud Oil Packing (wick) .....
200086C	11673	Needle Bar Connecting Stud Pinch Screw .....
247773	13470	Needle Bar Crank with 200335C, 200374C, 200428C and 201012C .....
247774	—	Needle Bar Crank 247773 with 200996C, 202398, 202400, 208545, 208547, 208551, 208552, 208555, 208557, 224624, 224628, 224644 and 224644 .....
203172	11673	Needle Bar Crank Friction Washer .....
200428C	11673	" " " Position Screw .....
200335C	13467	" " " Set Screw .....
208315	13472	" Plate, 50 needle hole for needle sizes 14 and 15 .....
201387E	13471	Needle Plate Screw .....
224635	13470	" " Slide Plate (adjustable) .....
200054E	13471	Needle Plate Slide Plate Screw (2) .....
202101	11674	" " " " " Washer (2) .....
200141E	11674	Needle Set Screw .....
208554	11674	Oil Leader (brass) (for back hook shaft bearing) .....
208566	13470	Presser Bar with 200074E .....
208567	11673	" " Bushing .....
201007C	13471	" " " Set Screw .....
202339	11674	" " Lifter .....
200653C	11674	" " " Hinge Screw .....
208555	11673	" " Lifting Bracket with 200054E .....
200975E	11674	Presser Bar Lifting Bracket Guide Screw .....
200054E	13471	Presser Bar Lifting Bracket Pinch Screw .....

From the Internet: Digitized by eGangotri

No.	Plate	Name
208556	11674	Presser Bar Spring .....
200494B	11674	" " Thumb Screw (pressure regulating) .....
200475B	10668	Presser Bar Thumb Screw Thumb Set Screw .....
202355	10668	Presser Bar Thumb Screw Thumb Set Screw Packing (brass) .....
224636	13472	Presser Foot (auxiliary) .....
224637	13471	" " " Guide Collar with 201397E .....
201397E	13473	Presser Foot (auxiliary) Guide Collar Screw .....
224638	13471	Presser Foot (auxiliary) Spring ..
201398c	13473	" " " " Stop Screw .....
202397	10668	Take-up (auxiliary) .....
200842E	10668	" " Screw .....
202398	13473	" Lever .....
203557	11673	" " Driving Stud with 202277 .....
202277	---	Take-up Lever Driving Stud Oil Packing (wick) .....
202400	13473	Take-up Lever Hinge Stud with 202423 .....
202423	---	Take-up Lever Hinge Stud Oil Packing (wick) .....
200383c	13469	Take-up Lever Hinge Stud Set Screw .....
208558	11674	Take-up Lever Oil Guard with 223655 and 224572 .....
200161H	13473	Take-up Lever Oil Guard Screw ..
223655	---	" " Oiling Felt .....
224572	13473	" " " " Rivet ..
244007	13473	Tension Disc (back) .....
244008	13473	" " (front) .....
202404	13473	" Release Plunger .....
233629	13473	" " Slide .....
208560	11675	" " " Spring .....
202405	13473	" " Washer .....
202407	10881	" Spring .....
200625F	13473	" Stud with 204925 .....
200061c	13469	" " Set Screw .....
204925	10668	" " Washer .....
201572B	10881	" Thumb Nut .....
202409	10252	Tension complete, Nos. 200625F, 201572B, 202405, 202407, 202410, 244007 and 244008 .....

No.	Plate	Name
202410	10252	Thread Controller Spring .....
202411	10252	" " " Stop .....
200132E	13473	" " " " Screw .....
208574	11675	" Guide .....
202412	10252	" " .....
202415	10252	" " .....
208569	11675	" " .....
200582H	10252	" " Screw .....
200389c	10252	" " Set Screw .....
202091	10252	" Retainer Sleeve .....
202092	10252	" " Spring .....
204058	10252	" " Stud .....
200366H	10252	" " " Set Screw .....
204059	10668	Thread Retainer complete, Nos. 202091, 202092 and 204058 .....
247775	13472	Throat Plate Body with 202534 and two 200582H .....
202534	10668	Throat Plate Bobbin Case Stop .....
200582H	10252	" " " " " " Screw .....
247776	13472	Throat Plate Knife Cutting Plate, for $\frac{3}{8}$ , $\frac{5}{8}$ , $\frac{1}{2}$ and $\frac{3}{4}$ in. trimming margin (state margin required) .....
200145c	13469	Throat Plate Knife Cutting Plate Screw .....
247780	13472	Throat Plate complete, for $\frac{3}{8}$ , $\frac{5}{8}$ , $\frac{1}{2}$ and $\frac{3}{4}$ in. trimming margin, Nos. 247775, 247776 and two 200145c (state margin required) .....
200577H	11672	Throat Plate Screw (2) .....
224643	13473	Vibrating Presser Bar .....
224644	13473	" " " Connecting Link .....
202277	---	Vibrating Presser Bar Oil Packing (wick) .....
224645	13472	Vibrating Presser Foot with 200175H, 201015F and 224654 ...
201015F	11675	Vibrating Presser Foot Pinch Screw .....

Form the Library of Congress

## ACCESSORIES

No.	Plate	Name
202265	13467	Bobbin (5) .....
*225482	—	" Case Screw Driver Blade ...
*225483	—	" " " " Handle ...
225497	12345	Bobbin Case Screw Driver complete, Nos. 225482 and 225483 ...
206934	13469	Knife (3) .....
247776	13472	Throat Plate Knife Cutting Plate, for $\frac{1}{8}$ , $\frac{3}{8}$ , $\frac{1}{2}$ and $\frac{3}{4}$ in. trimming margin (state margin required)
135 x1	—	Needles, six each, sizes 12 and 14
228222	—	Drip Pan with four 1 in. wire nails
41400	12345	Machine Rest Pin (wood) .....
120342	12345	Oiler with 120343 .....
120343	12345	" Spout, $\frac{3}{4}$ in. long .....
*225484	—	Screw Driver Blade .....
*225485	—	" " Handle .....
225498	12345	Screw Driver complete (7 $\frac{1}{2}$ in. long), Nos. 225484 and 225485 ...
225554	12345	Wrench (steel) .....

### BOBBIN WINDER

#### Swing Automatic, Right Hand

225453	10884	Frame with 202277 and 225438 ....
225454	10884	" Hinge Pin .....
202277	—	" Oil Packing (wick) .....
225438	10884	" " Well Cap .....
225455	10884	" Spring .....
225456	10884	" " Plunger .....
202473	10885	Pulley with 200380c .....
200380c	13473	" Set Screw .....
225381	10884	Spindle .....
225444	10884	Stop Latch .....
200056E	10884	" " Screw .....
225458	10884	" " Thumb Lever .....
225459	10884	" " " " Hinge Stud .....
225459	10884	" " " " Joint Stud .....
202478	10884	" " Trip Lever .....
200299H	10884	" " " " Hinge Screw .....
225461	10881	Tension Bracket with 201499B ...
200082D	10881	" " Screw .....
228026	10884	" " " Washer .....

No.	Plate	Name
2102	10881	Tension Disc .....
202407	10881	" Spring .....
201499B	10881	" Stud .....
201572B	10881	" Thumb Nut .....
225462	10881	Bobbin Winder Tension Bracket complete, Nos. 201572B, 202407, 225461 and two 2102 .....
225433	10885	Bobbin Winder and Tension Bracket Base .....
225382	10885	Universal Bobbin Winder complete, Nos. 200056E, 200082D, 200299H, 202473, 202478, 225381, 225433, 225444, 225453 to 225456, 225458, 225462, 228026, two each 225459 and wood screws $\frac{3}{4}$ in., No. 12, R.H.B. ....

### KNEE LIFTER

2763	13395	Rock Shaft .....
228278	13395	" " Hanger (back) with 356c .....
228279	—	Rock Shaft Hanger 228278 with 202452 and 228282 .....
228280	13395	Rock Shaft Hanger (front) with two 356c .....
228281	—	Rock Shaft Hanger 228280 with 202452 and 228282 .....
228282	13395	Rock Shaft Hanger Bracket with two wood screws $\frac{3}{4}$ in., No. 12 ...
202452	—	Rock Shaft Hanger Hinge Pin ....
228283	13395	" " Lifting Lever with two 356c .....
227728	13395	Rock Shaft Lifting Lever Rod with 227729 .....
227729	—	Rock Shaft Lifting Lever Rod Cap
356c	—	" " " " " Set Screw .....
356c	—	Rock Shaft Lifting Lever Set Screw
202455	13395	" " Knee Arm .....
356c	—	" " " " Set Screw ..
228284	13395	" " " " Plate with 356c ...
356c	—	" " " " Set Screw ..
356c	—	" " " " Set Screw .....
228285	13395	Knee Lifter Rock Shaft complete, Nos. 2763, 202455, 227728, 228279, 228281, 228283 and 228284 .....

(Other Knee Lifter Parts are listed with parts of machine head.)

From the library of: Diamond Needle Co.



## BINDER

No.	Plate	Name
247752	13468	Binder Base Plate with five 247754
247753	13468	" Guard .....
201498b	13467	" " Screw .....
208305	13467	" Head, .035 in. opening, for tapes or folded strips from $\frac{1}{2}$ to $\frac{3}{4}$ in., in steps of $\frac{1}{32}$ inch .....
208326	13467	Binder Head Adjusting Lever .....
200292f	13467	" " " " Hinge Screw .....
208327	13467	Binder Head Adjusting Lever Hinge Screw Washer .....
200133d	13467	Binder Head Screw .....
208318	13467	" " Slide Block .....
247754	13467	" Tape Tension Pin .....
247755	—	Binder complete, .035 in. opening, for tapes or folded strips from $\frac{1}{2}$ to $\frac{3}{4}$ in., in steps of $\frac{1}{32}$ in., Nos. 200292f, 201498b, 208305, 208318, 208326, 208327, 247752, 247753 and two 200133d .....

## KNIFE GRINDER

No.	Plate	Name
206977	—	Emery Wheel, 2 in. diameter .....
206962	10957	" " Driving Shaft .....
201510b	10957	" " " " Nut
204101	10957	" " " " " Washer .....
206963	10957	Emery Wheel Driving Shaft Pulley with two 200403c .....
200403c	13473	Emery Wheel Driving Shaft Pulley Set Screw .....
244040	13470	Emery Wheel Guard .....
200054e	13471	" " " Screw .....
206969	—	" " Washer (paper) .....
206964	10957	Knife Grinder Frame with two 54897
54897	13473	" " " Oil Cup .....
206965	10957	" Holder Slide Bracket with 200394c, 200457b and 200473b ...
200457b	10957	Knife Holder Slide Bracket Adjust- ing Screw .....
206966	10957	Knife Holder Slide Bracket Adjust- ing Screw Slide Plate .....
200577h	11672	Knife Holder Slide Bracket Adjust- ing Screw Slide Plate Screw ...
200394c	10957	Knife Holder Slide Bracket Set Screw .....
206967	10957	Knife Holder Slide Bracket Shaft ..
200473b	10957	" Set Screw .....
206968	—	Knife Grinder complete, Nos. 200577h, 201510b, 204101, 206962 to 206967, 206977, 244040, two each 200054e and 206969 .....

### RIBBON REEL

No.	Plate	Name
225663	13466	Ribbon Reel (9 in. diam.) with 225666 .....
225664	13473	Ribbon Reel Supporting Spindle ...
225665	13466	" " " " Base with 225664 and two wood screws $\frac{3}{4}$ in., No. 7 .....
230471	13473	Ribbon Reel Supporting Spindle Hub .....
225666	—	Ribbon Reel Supporting Spindle Hub 230471 with 225980 .....
225980	13473	Ribbon Reel Supporting Spindle Hub Base .....
225976	—	Ribbon Reel (9 in. diam.) complete, Nos. 225663 and 225665 .....

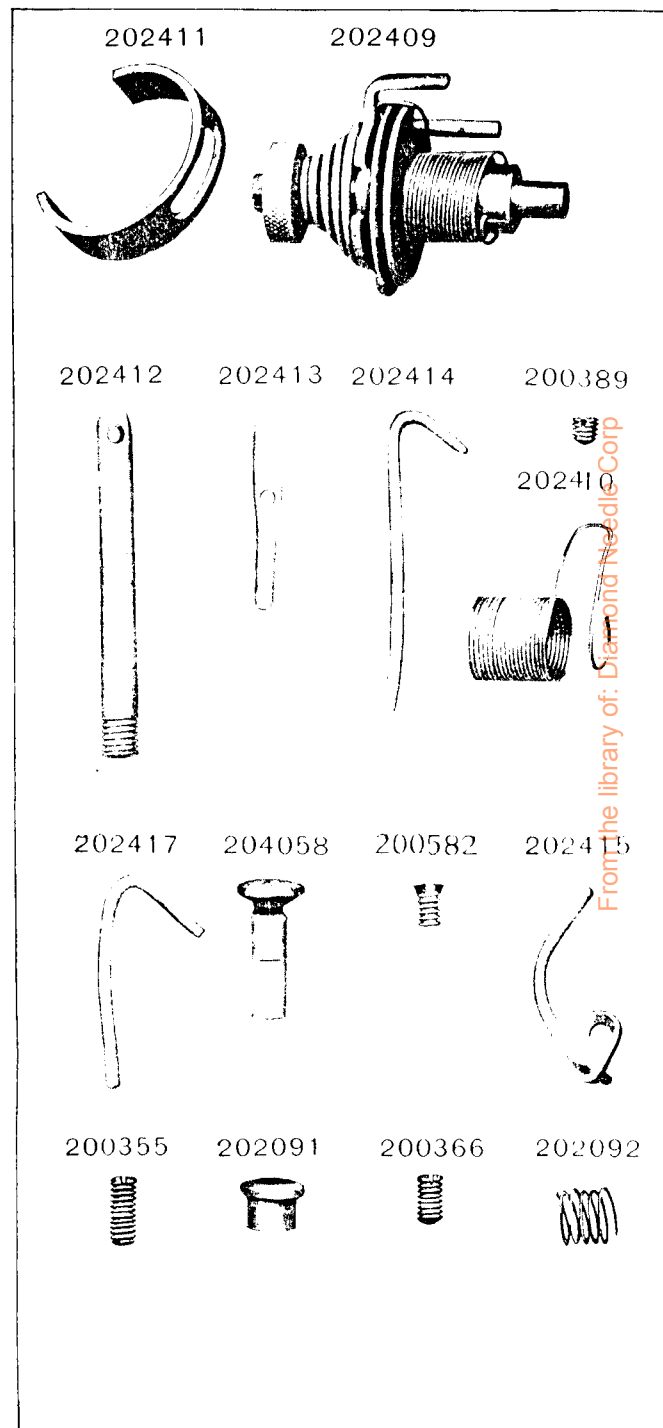


PLATE 10668—FULL SIZE

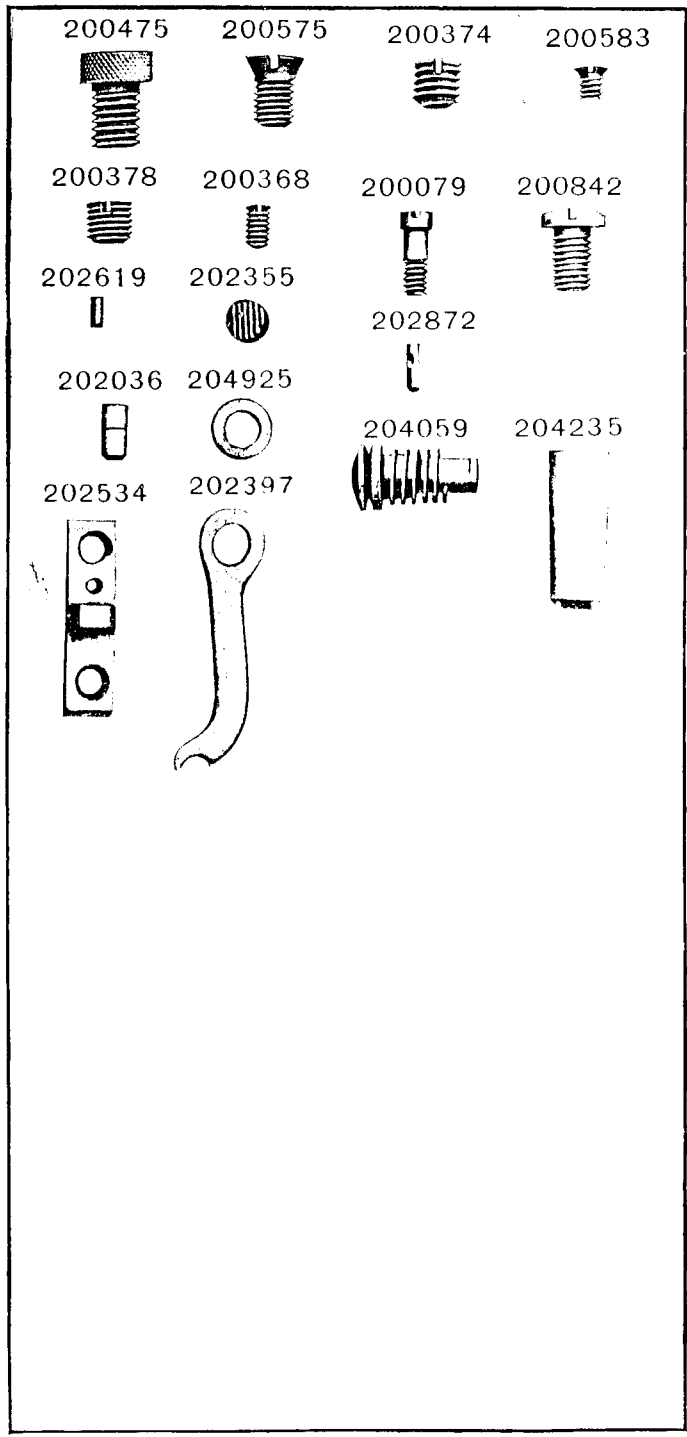


PLATE 10881—FULL SIZE

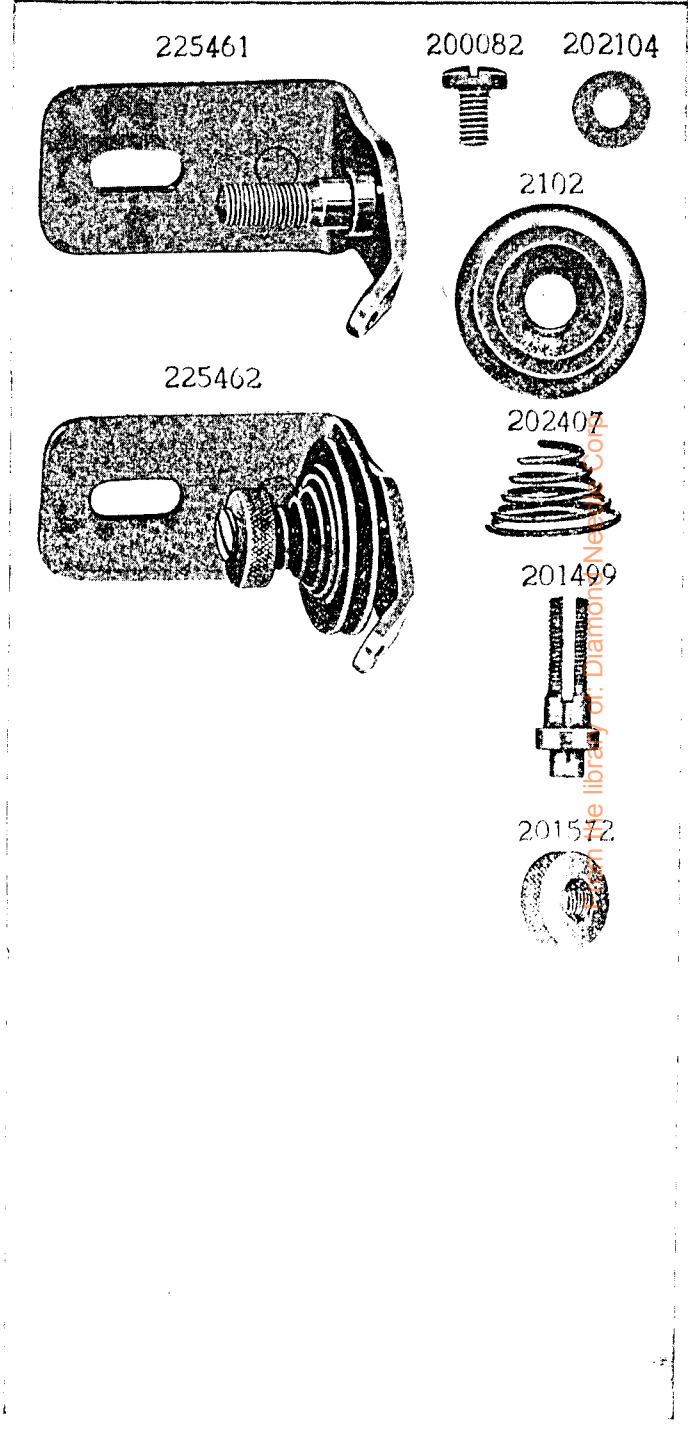


PLATE 10884—FULL SIZE

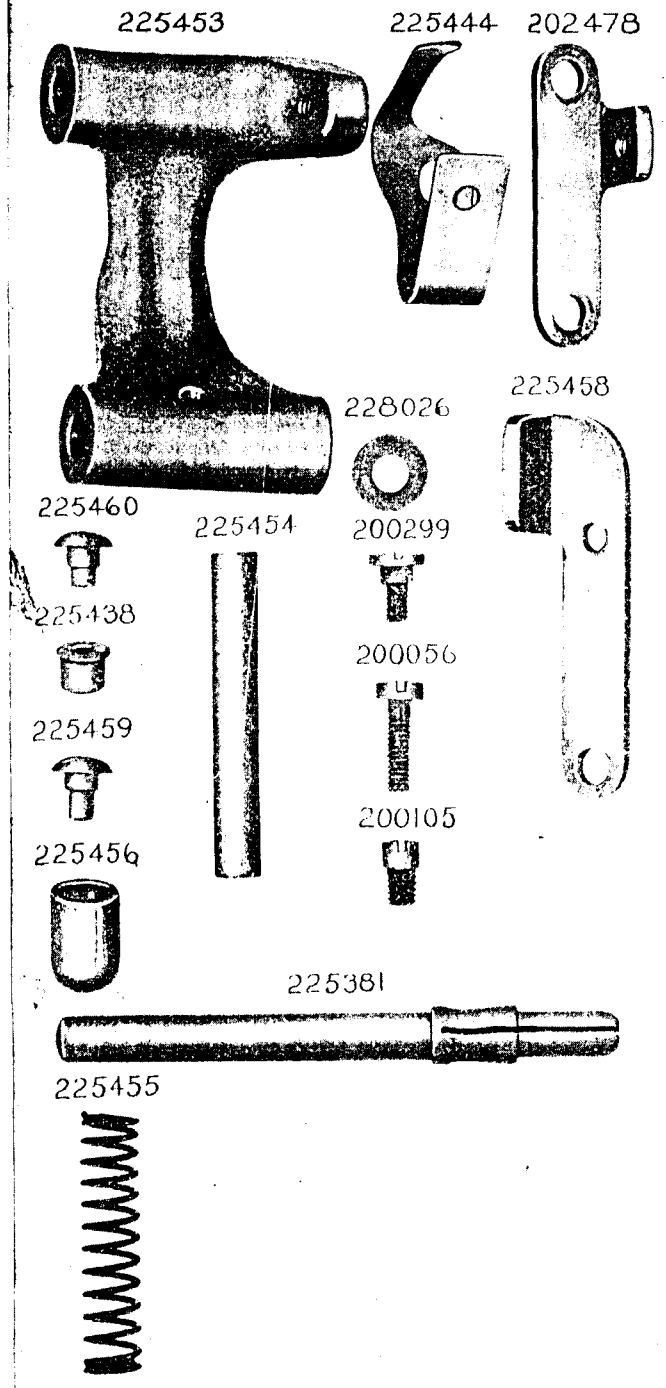
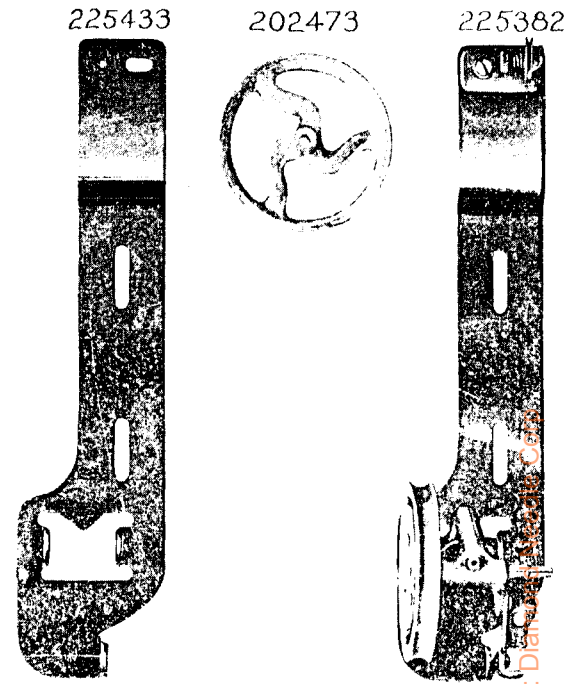


PLATE 10885—ONE-FOURTH SIZE



From the library of: <http://www.rosco.com>

PLATE 10957—ONE-HALF SIZE

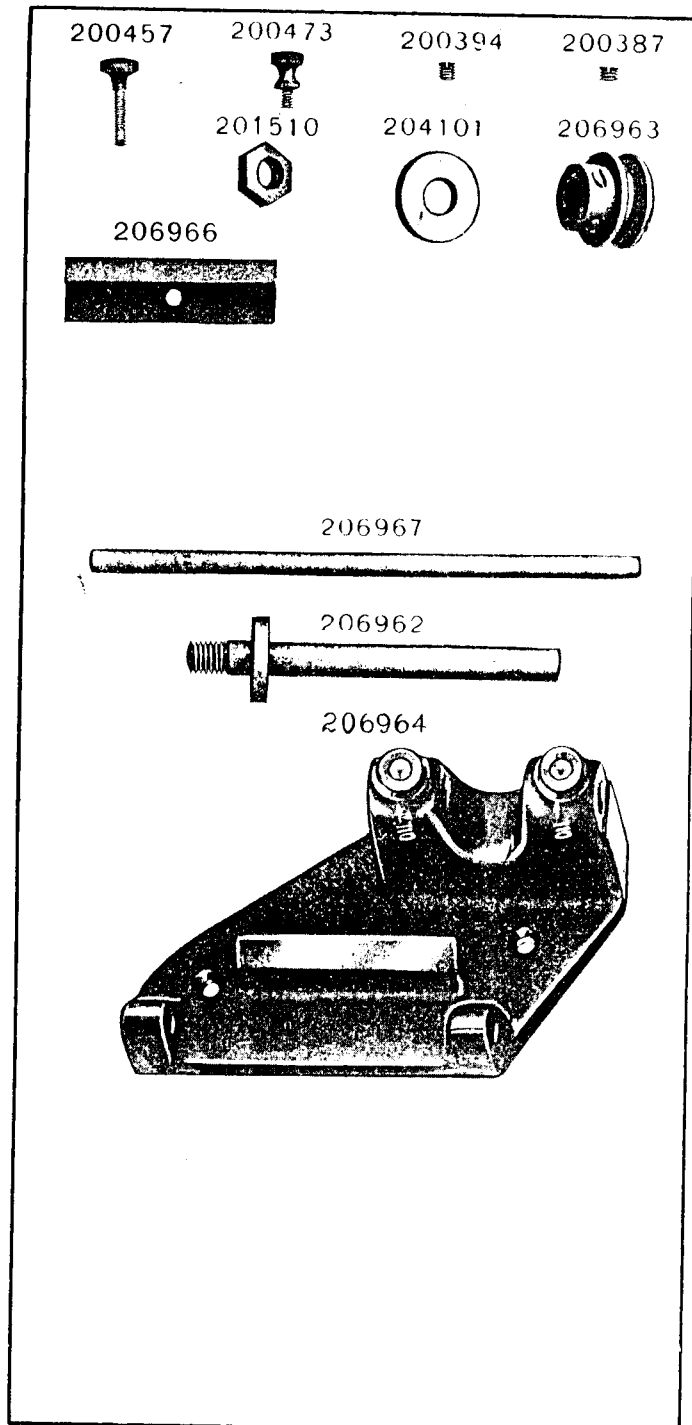
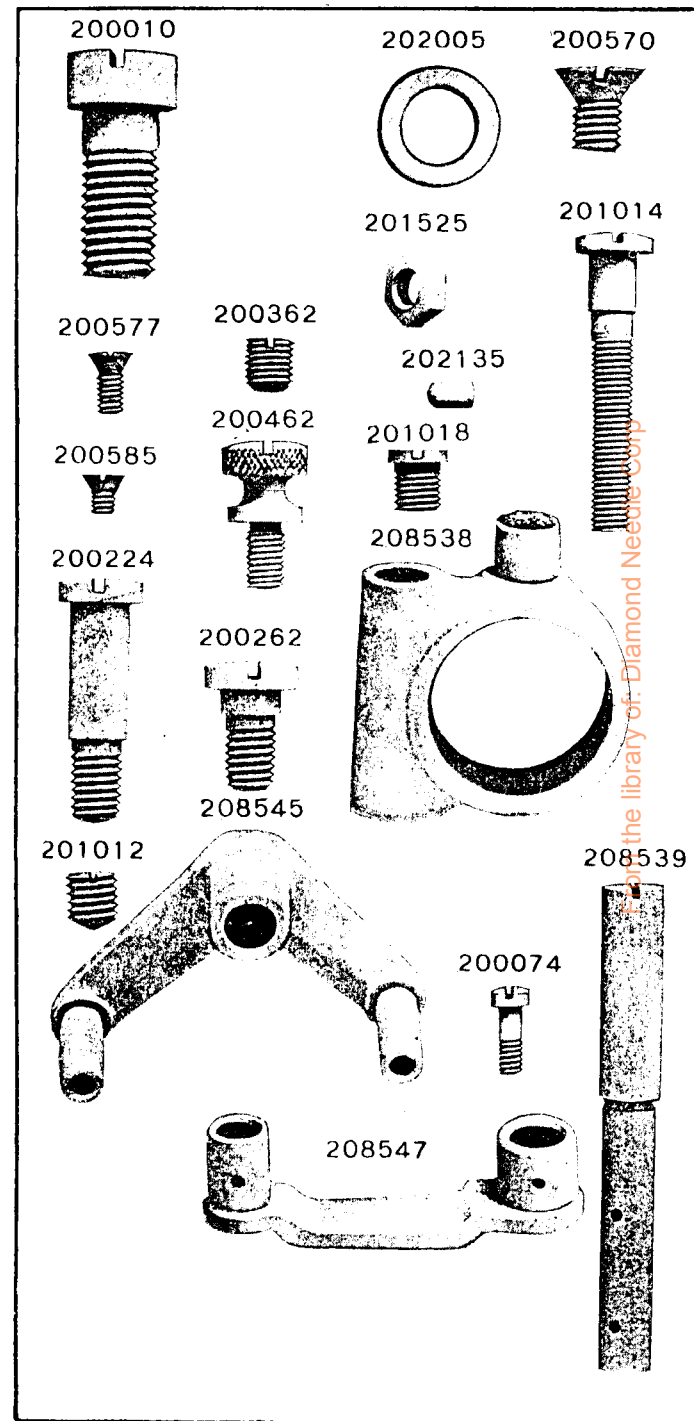


PLATE 11672—FULL SIZE



From the library of: Diamond Needle Corp.

PLATE 11673-FULL SIZE

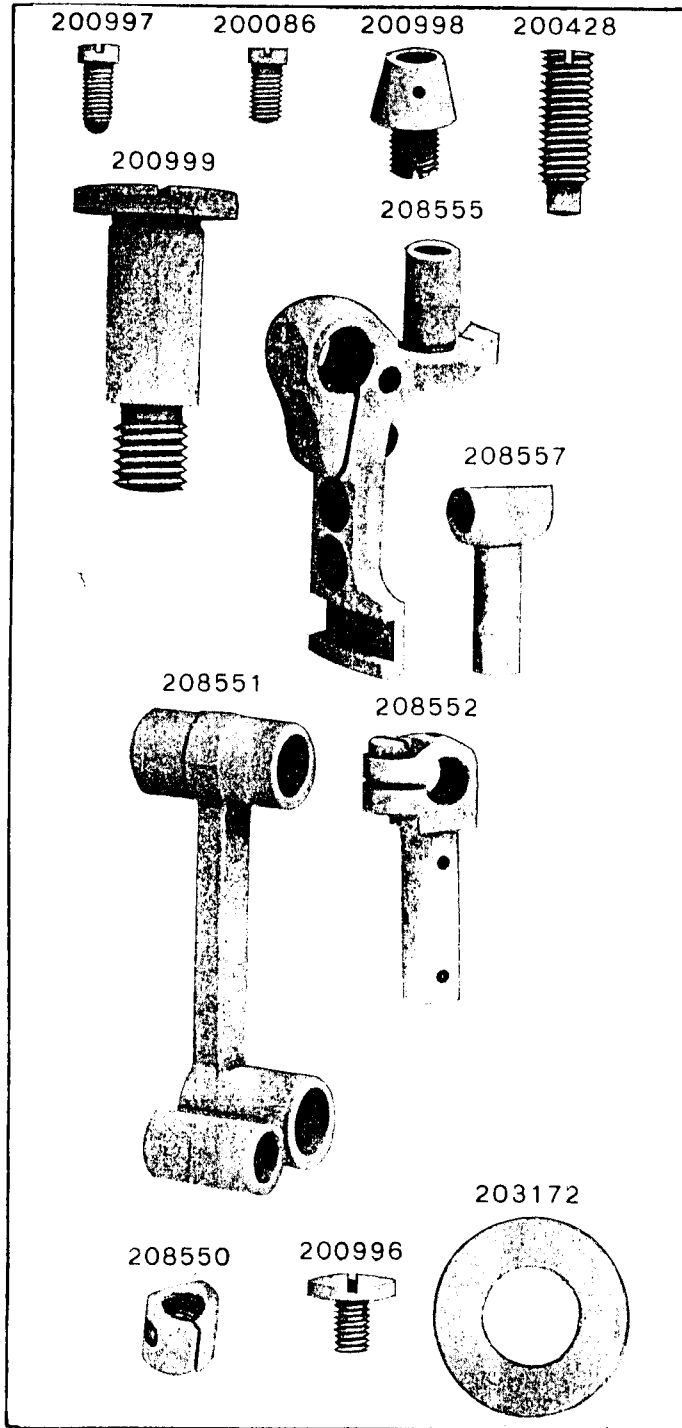


PLATE 11674-FULL SIZE

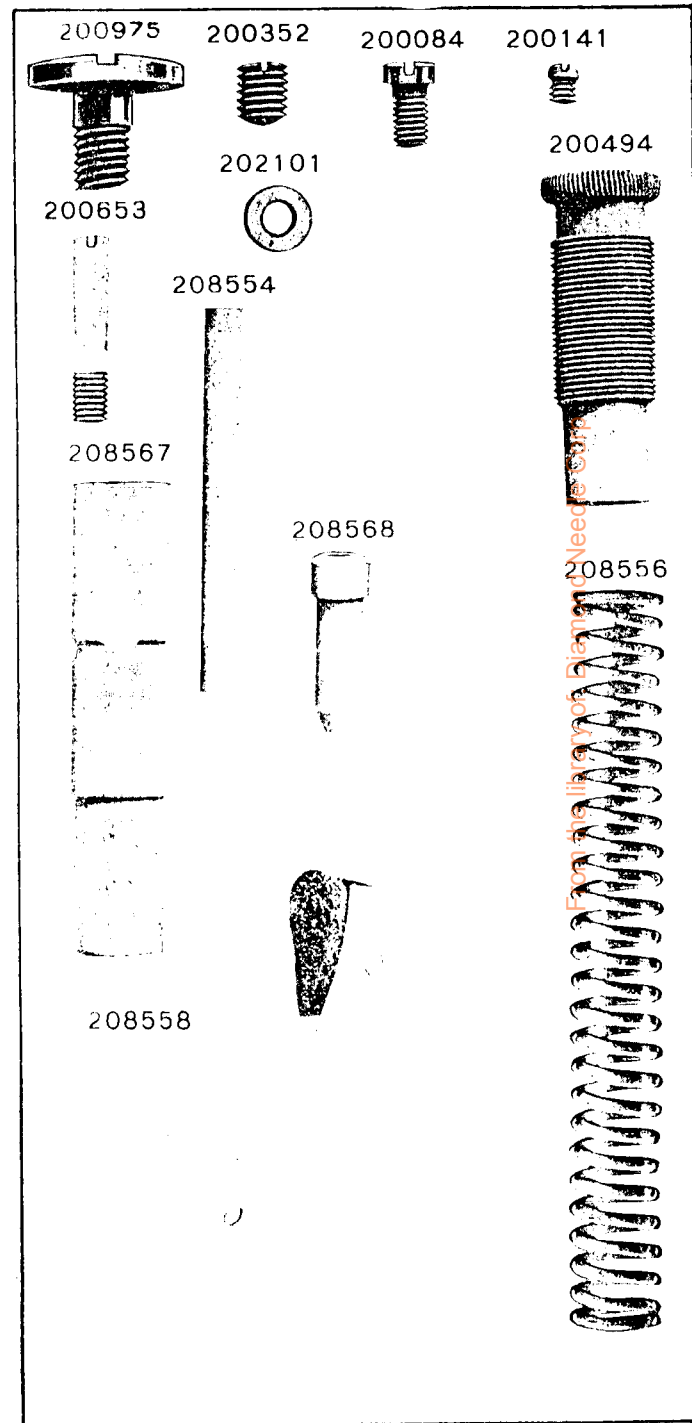


PLATE 11675—FULL SIZE

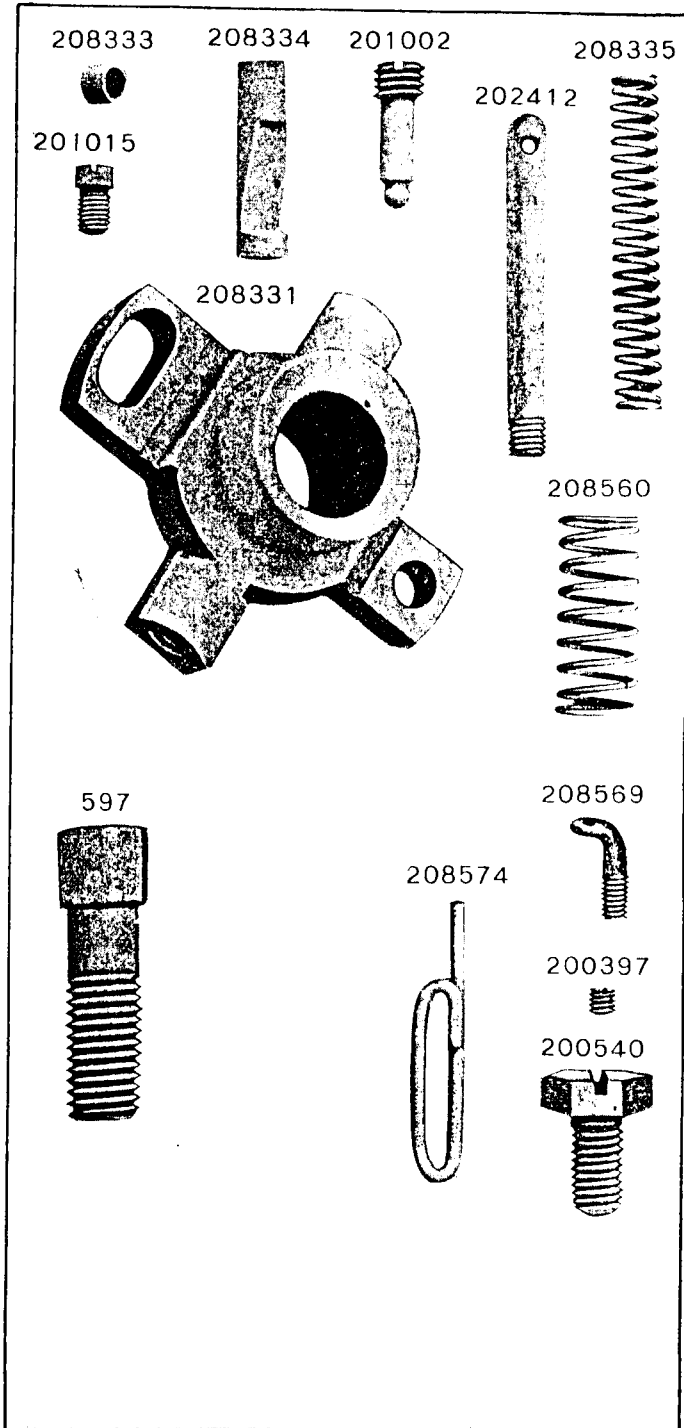


PLATE 12345—ONE-HALF SIZE

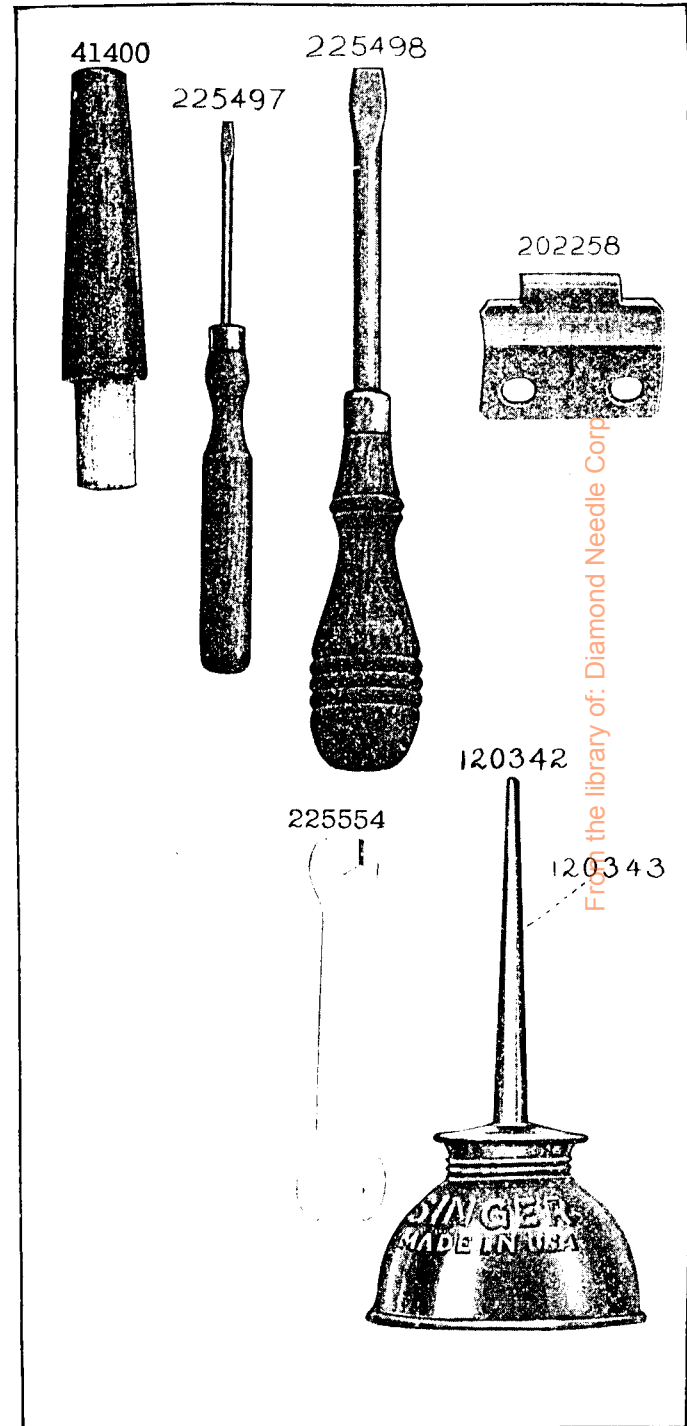




PLATE 13395—ONE-FOURTH SIZE

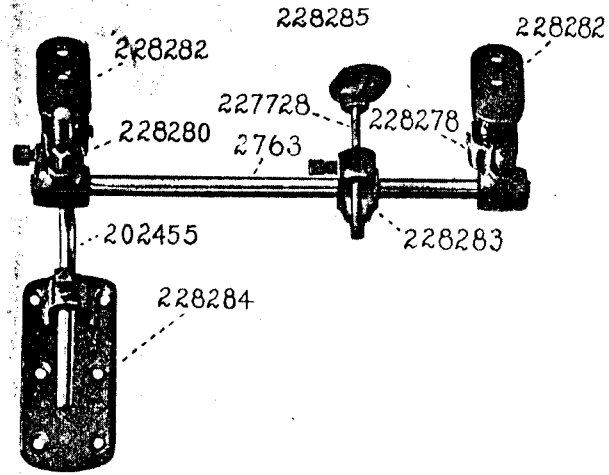


PLATE 13465—ONE-HALF SIZE

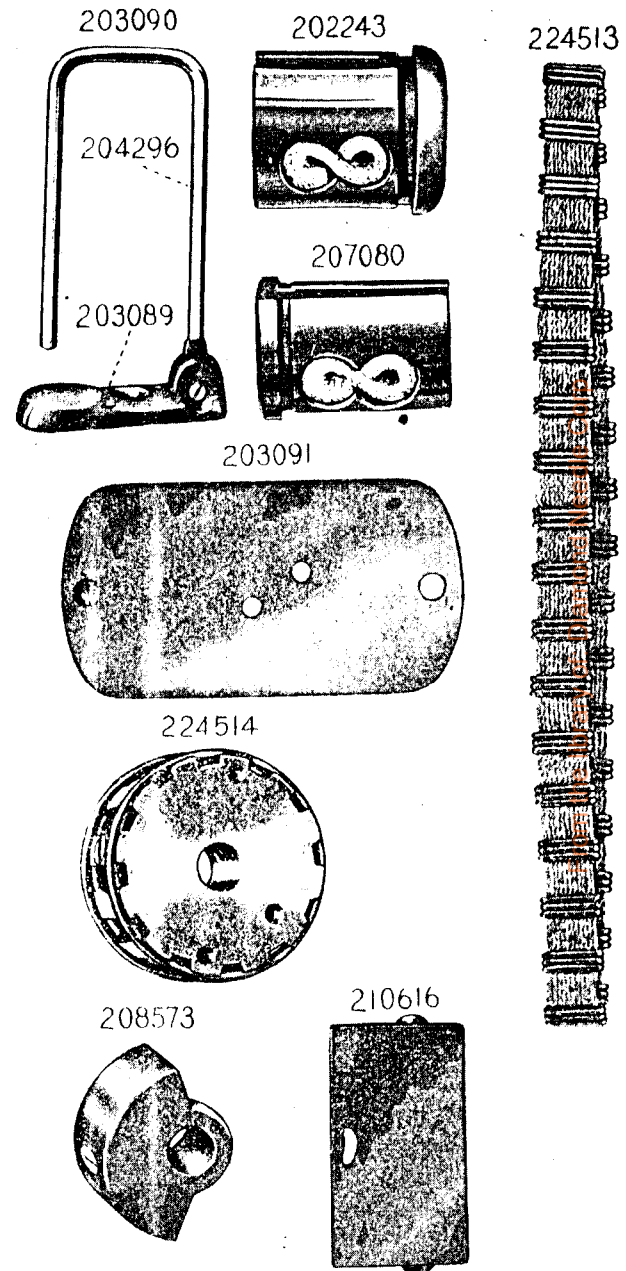




PLATE 13466—ONE-FOURTH SIZE

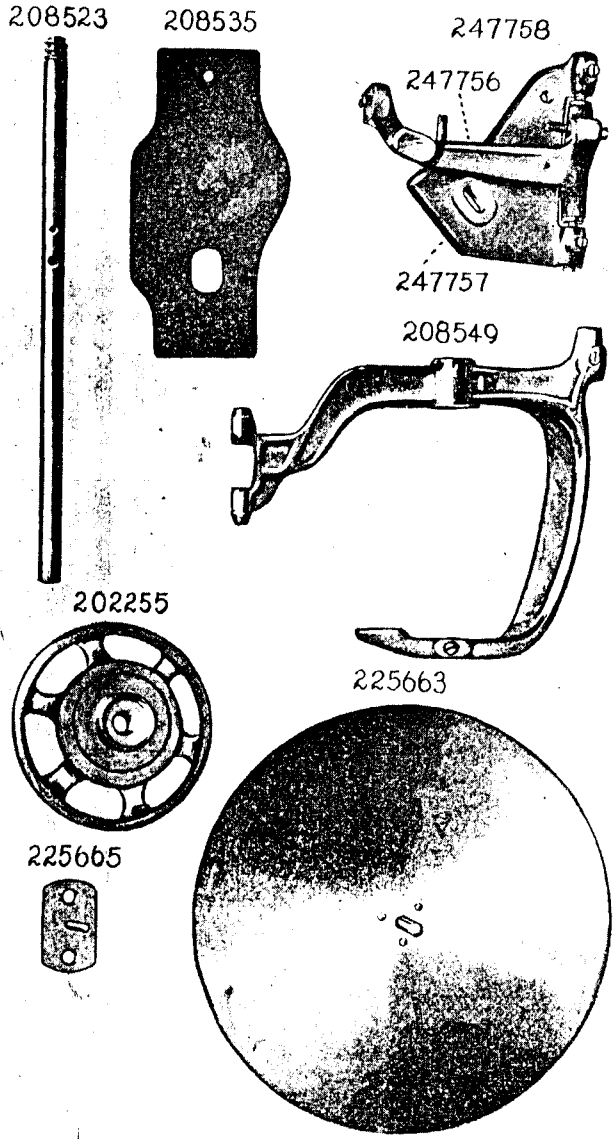
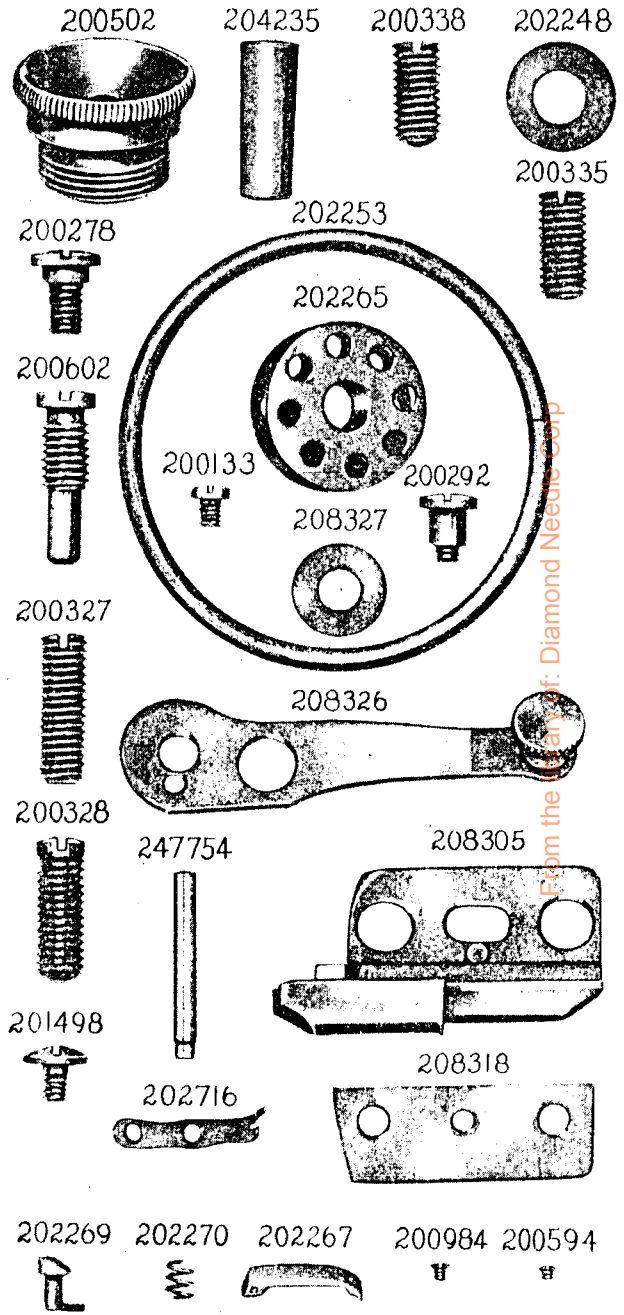


PLATE 13467—FULL SIZE



From the Gray's Diamond Needle Corp

PLATE 13468—ONE-HALF SIZE

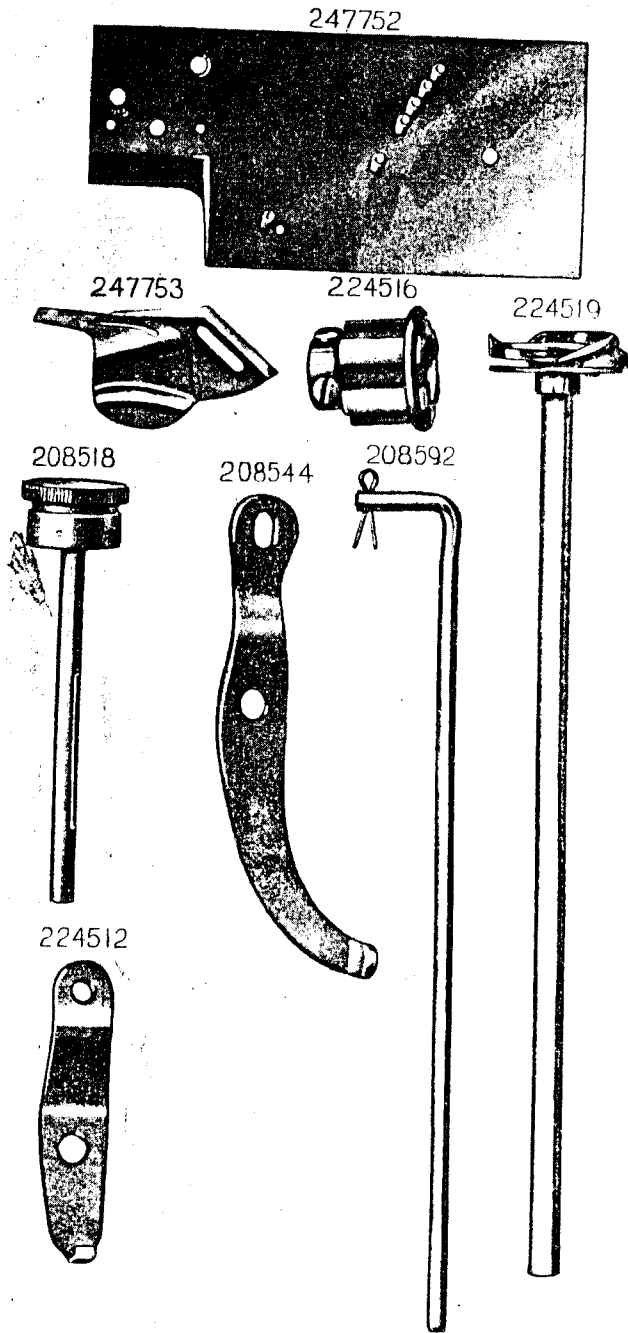
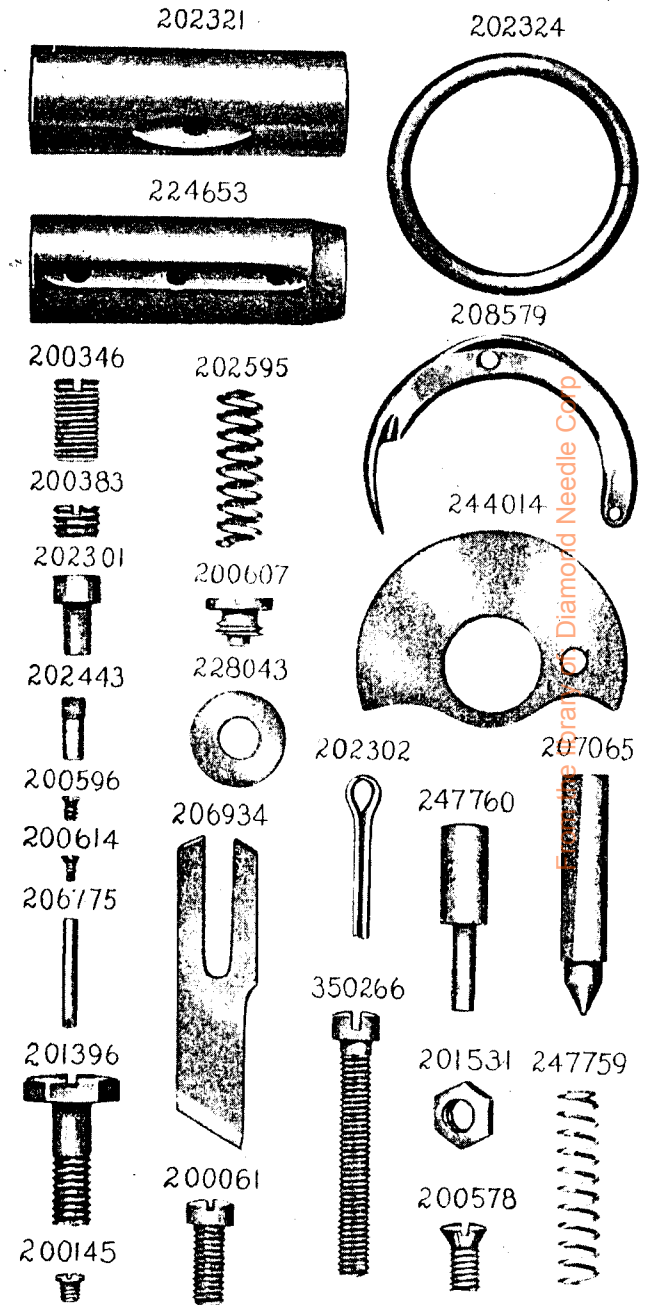


PLATE 13469—FULL SIZE



Copyright © Diamond Needle Corp.

PLATE 13470—ONE-HALF SIZE

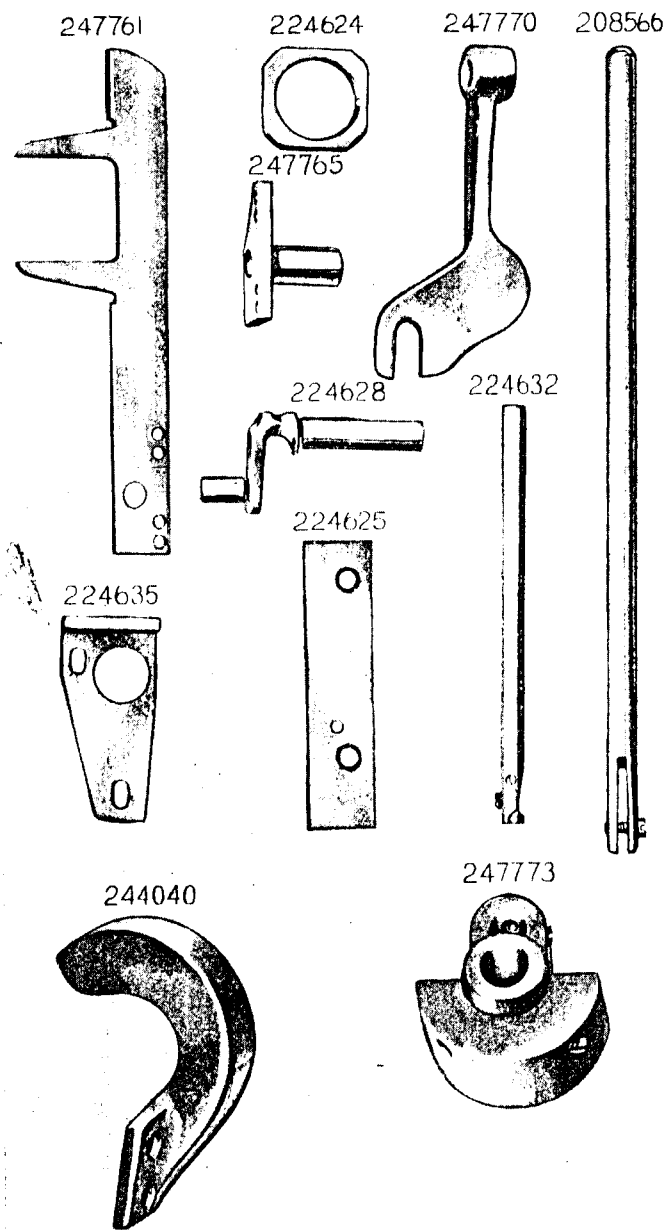


PLATE 13471—FULL SIZE

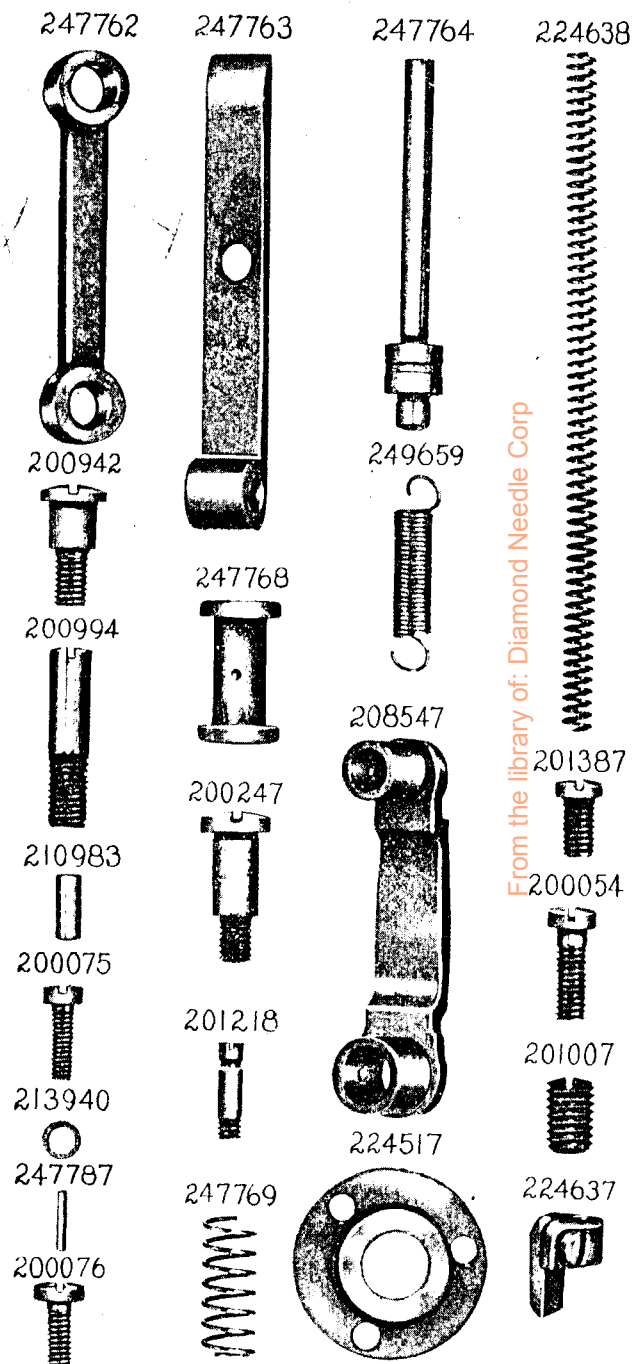


PLATE 13472—FULL SIZE

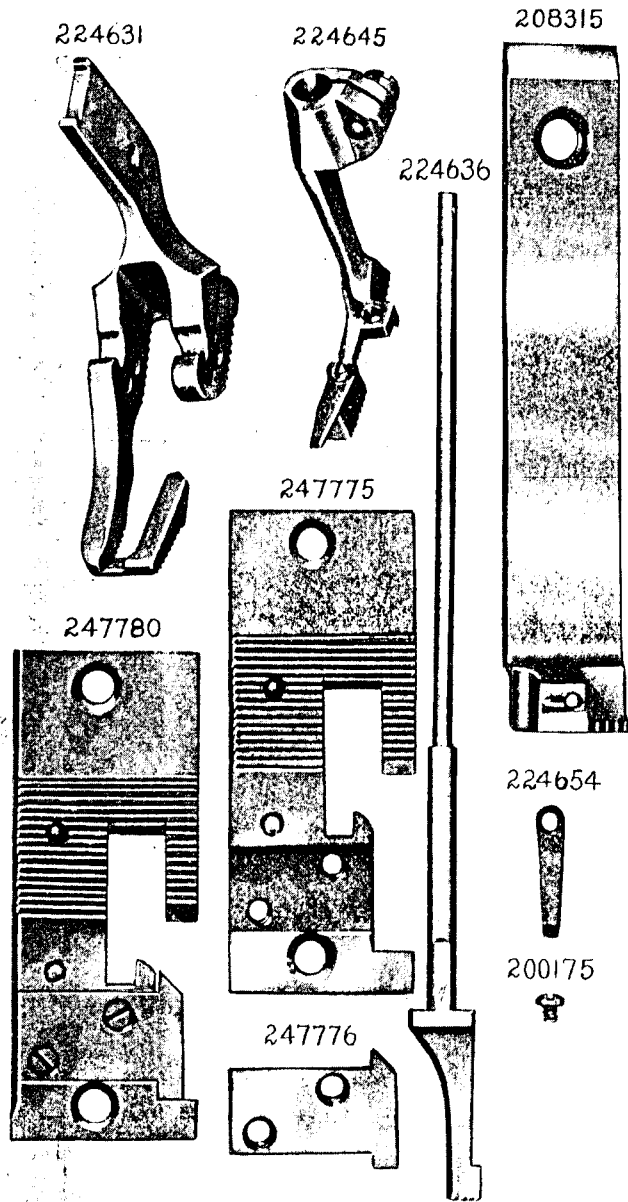


PLATE 13473—FULL SIZE

